



Light Sensor RL2

Datasheet

Version: Ver.1.0

Update

No.	Version	Update	Revise
1	Ver.1.0	Initial	2019.08.05

Note : This document is subject to change without prior notice.

Shanghai Xixun Electronics Co., Ltd

Product Appearance



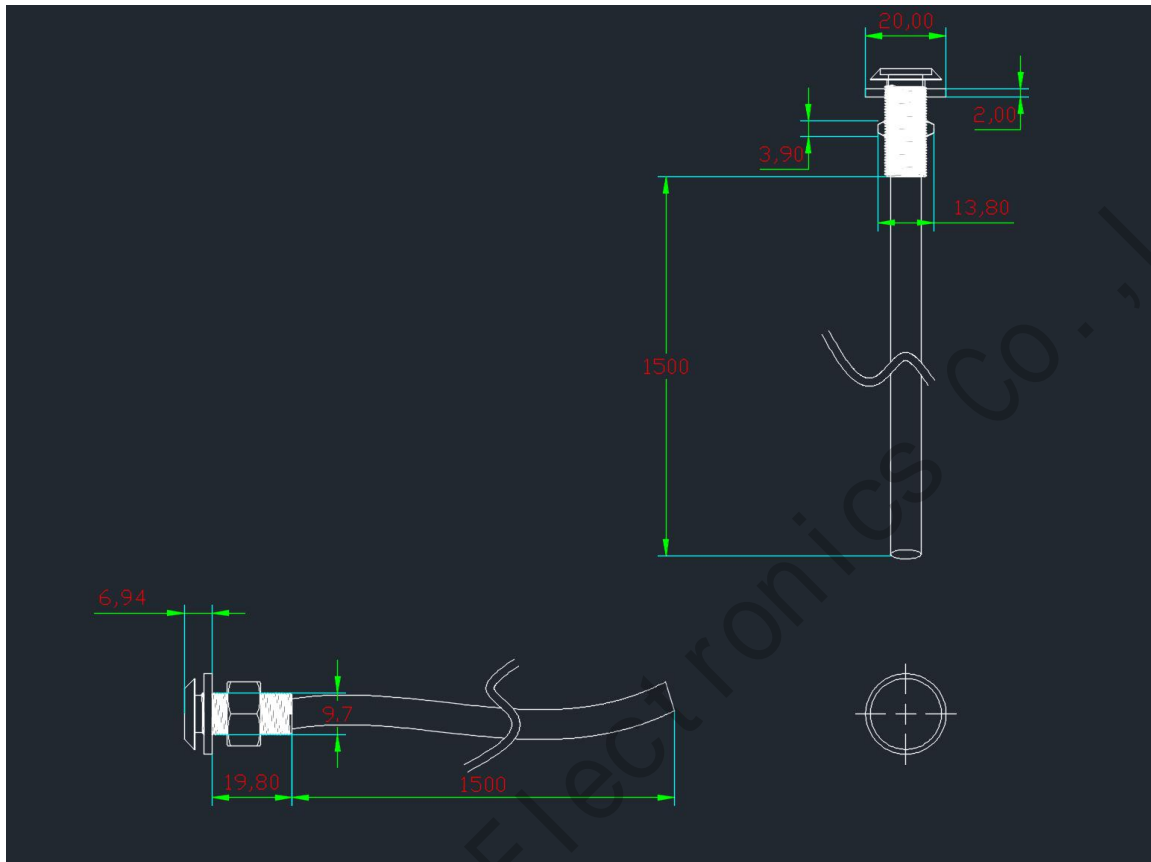
Shanghai Xixun Electronics Co., Ltd

Functions

As a light sensor, RL2 has following functions:

- a. Detect current environment brightness and auto adjust led screen brightness level accordingly;
- b. Standard 1.5meter cable, can customize special length cable according to customer requests;
- c. Cable is 2core20AWG, diameter 4.6mm, with locker in connector;
- d. Connect with y60 sending card;
- e. Can be used in outdoor, with proofings;
- f. No need extra power supply.

Dimension



Unit: mm

Connection

Plug to Y60' s light port:



Notes

Try not to touch the chip and its pins on the product to prevent electrostatic damage.

Shanghai Xixun Electronics Co., Ltd